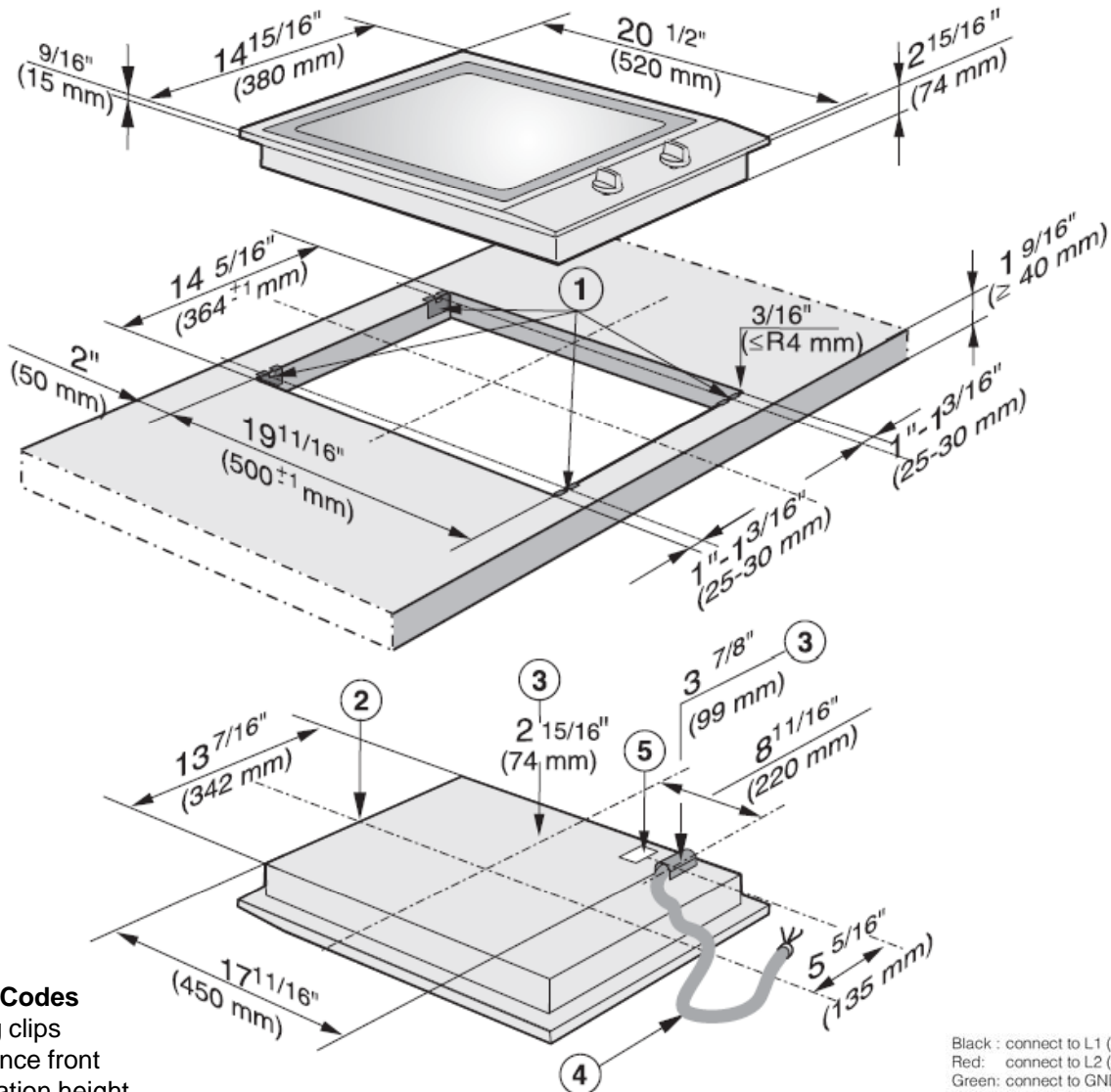


Product and Cut-out Dimensions CS 1326 Y Tepan Yaki CombiSet



Location Codes

- 1 – Spring clips
- 2 – Appliance front
- 3 – Installation height
- 4 – Power supply box with connection cable, Length = 47 1/4" (1200 mm)

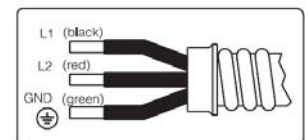
208 V, 60 Hz, 20 A fuse rating

240 V, 60 Hz, 15 A fuse rating

Ensure that the power outlet is accessible after installation

- 5 – Rating label – Ensure that the electrical supply matches the rating. Adhere rating label sticker supplied with the appliance into the manual.

Black : connect to L1 (hot)
Red : connect to L2 (hot)
Green : connect to GND (ground):



Shipping weight 34 lbs (15.4 kg)

Shipping dimensions 26" (660 mm) L x 19" (483 mm) W x 11" (279 mm) H

Notes

Indoor use

The appliance must not be permanently sealed into the countertop when installed. The sealing strip under the edge of the appliance provides a sufficient seal for the countertop.

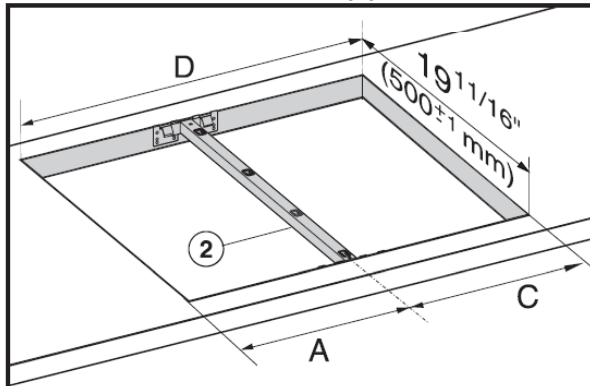
All installations must be done in accordance with local codes.

Drawing is not to scale

Product and Cut-out Dimensions

CS 1326 Y Tepan Yaki CombiSet

Cut-out Dimensions For two CombiSet Appliances

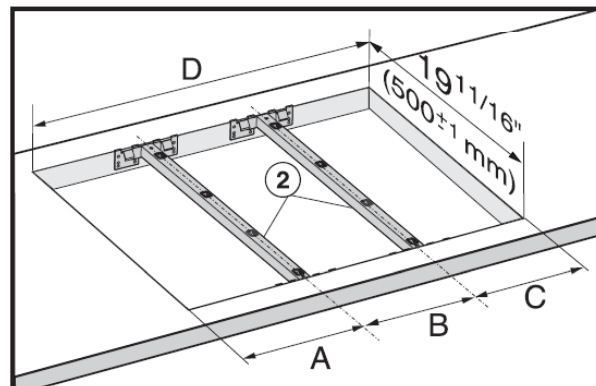


For the installation of **two appliances** the width of the countertop cut-out D is the sum of A and C.

A, B and C = appliance width
 11 5/16" or 15"
 (288 mm or 380 mm)
minus 5/16" (8 mm) to allow for the overhang

D = width of the countertop cut-out

Cut-out Dimensions For three CombiSet Appliances



For the installation of **three appliances** the width of the countertop cut-out D is the sum of A and B and C.

If **more than three appliances** are being installed, you will need to add, A, B or C for each additional appliance.

Sample calculations for a countertop cut-out for three appliances

A appliance width minus 5/16" (8mm)	B appliance width	C appliance width minus 5/16" (8mm)	D countertop cut-out
11" (280 mm)	11 5/16" (288 mm)	11" (280 mm)	33 3/8" (848 mm)
11" (280 mm)	15" (380 mm)	14 5/8" (372 mm)	40 5/8" (1032 mm)
14 5/8" (372 mm)	11 5/16" (288 mm)	11" (280 mm)	37" (940 mm)
14 5/8" (372 mm)	15" (380 mm)	14 5/8" (372 mm)	44 1/4" (1124 mm)

Location codes

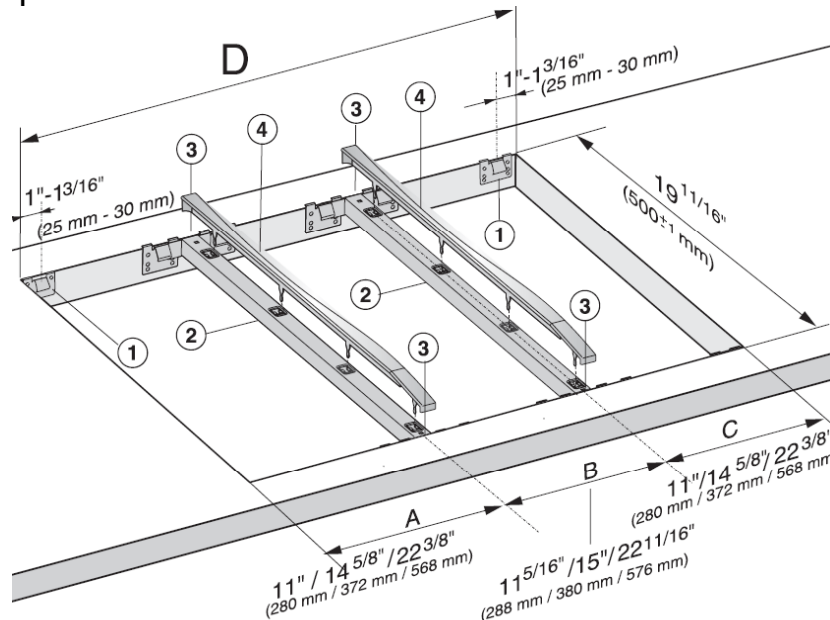
2 – Support bars (Accessory, Item - 27996029D CSZL 1500 (Includes cover))

Notes

All installations must be done in accordance with local codes.

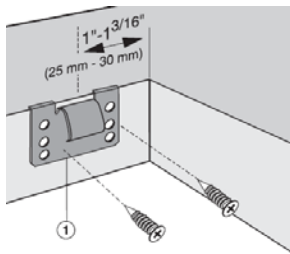
Drawing is not to scale

Product and Cut-out Dimensions CS 1326 Y Tepan Yaki CombiSet

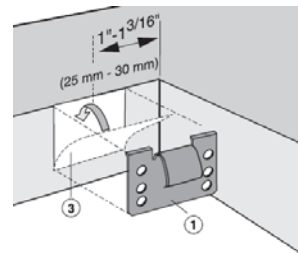


The illustration above represents the attachment of spring clips **1** and support bars **2** for 3 appliances

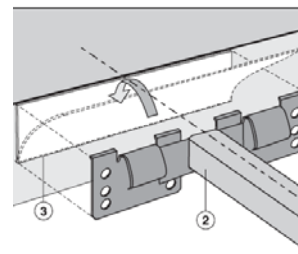
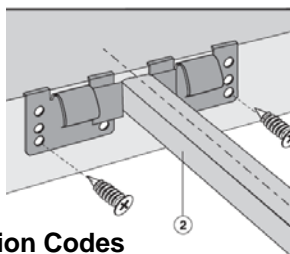
An additional support bar is required for each additional appliance. The position for the attachment of an additional support bar depends on the width of appliance **B**.



Spring Clip installation on wood or solid surface countertop
Place the supplied spring clips **1** and the support bars **2** at the marked positions as shown above, by laying them on the upper edge of the cut-out and then securing them with the 1/8" x 1" (3.5 x 25 mm) screws (supplied)



Spring Clip installation on a granite countertop
Position and attach the spring clips **1** and the support bars **2** with strong double-sided tape **3**
Coat the side and lower edges of the spring clips with silicone.
Fill the space between the support bars and the countertop with silicon



Location Codes

- 1 – Spring Clips
- 2 – Support bars (Accessory, item - 27996029D CSZL 1500 (Includes cover **4**))
- 3 – Space between support bar and countertop
- 4 – Cover

Notes

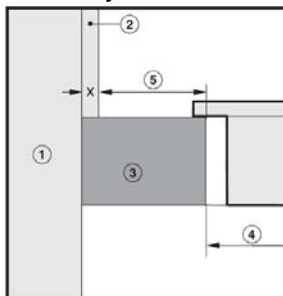
All installations must be done in accordance with local codes.

Drawing is not to scale

Product and Cut-out Dimensions

CS 1326 Y Tepan Yaki CombiSet

Safety distances to back wall



- 1 – Wall frame
- 2 – Wall covering
- x = thickness of the wall covering**
- 3 – Countertop
- 4 – Countertop cut-out
- 5 – Minimum safety distance
with flammable materials 2" (50 mm)
with non-flammable materials 2" (50 mm) minus x

If a wall covering is installed, a minimum safety distance must be maintained between the countertop cut-out and the covering, since high temperatures can damage these materials.

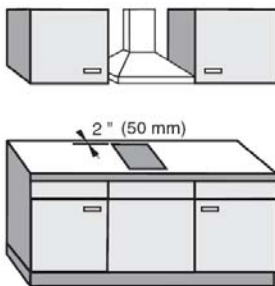
If the covering is made of a combustible material (such as wood), the distance between the countertop cut-out and the wall covering must be a minimum of 2" (50 mm).

For coverings made of non-combustible materials (such as metal, marble, granite or ceramic tiles) the minimum safety distance between the countertop cut-out and the wall covering must be 2" (50 mm) minus the thickness of the covering.

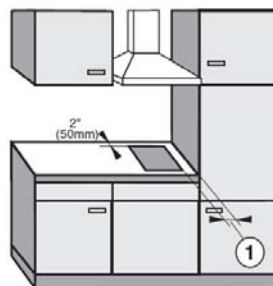
For example: thickness of wall covering 9/16" (15 mm) 2" (50 mm) - 9/16" (15 mm) = minimum safety distance 1 3/8" (35 mm).

Safety distances to surrounding cabinetry

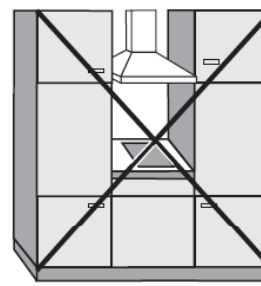
Recommended



Not Recommended



Not Permitted



The appliance should only be installed as shown in the above illustrations while maintaining the required safety distances shown. Do not install the appliance between two tall cabinets, this is a fire hazard.

A distance of at least 2" (50 mm) must be kept between the countertop and the rear wall because of high temperature radiated.

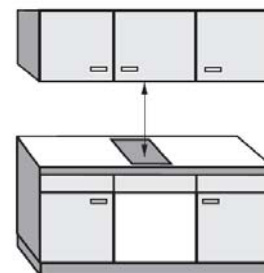
The minimum distance required from the countertop cut-out to a side wall or tall cabinet right or left 2" (50 mm) (Location code 1)

Safety distance above the appliance

The minimum safety distance given by the hood manufacturer must be maintained between the combiset and the hood above it. See the installation instructions for the hood for these safety measurements.

If the hood manufacturers instructions are not available or if flammable objects are installed over the combiset (e.g. cabinets, utensil rail, etc.), a minimum safety distance of 30"

Notes (760 mm) must be maintained.



All installations must be done in accordance with local codes.

Drawing is not to scale